

MS WOOD GRAIN FINISHES

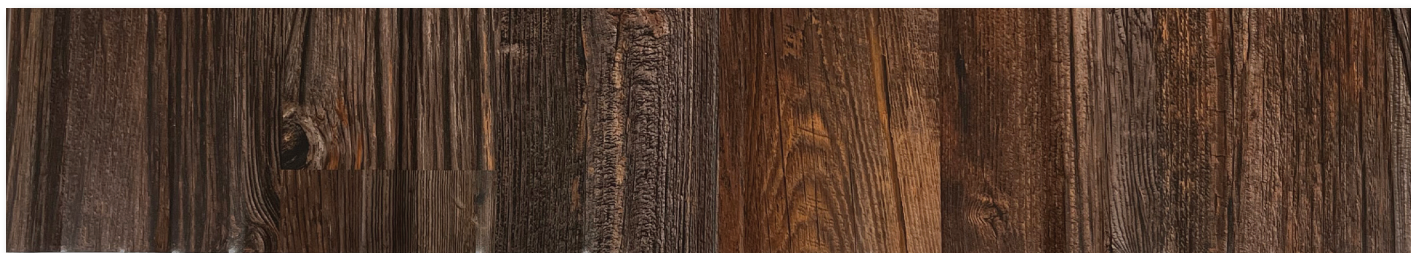
Metal Sales Wood Grain finishes offer the best of both worlds. A rich, natural wood appearance with exceptional strength and the longevity of steel. Featuring a finish that is sealed with an electron beam clear-coat barrier to withstand the elements.

Classic Rib® Pro-Panel II®

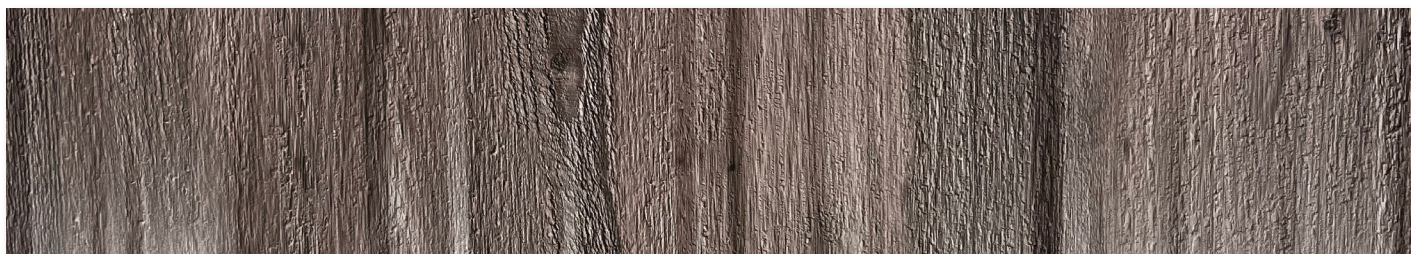
32'-0"
Repeating
Pattern

**20-YEAR
FINISH
WARRANTY***

**29
GAUGE**



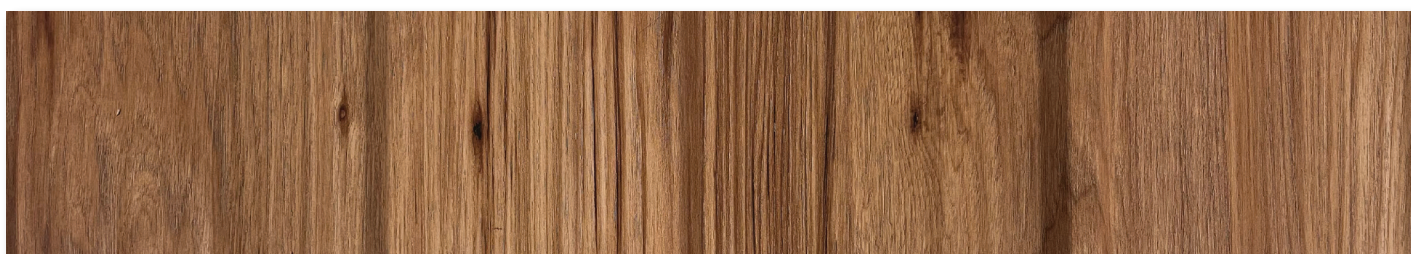
Gray Barnwood (230)



Gray Cedar (233)



Rough Cedar (232)



Hickory (231)

*Warranty only applies to wall panel applications.

STEEL PANEL—WOOD GRAIN ADVANTAGES

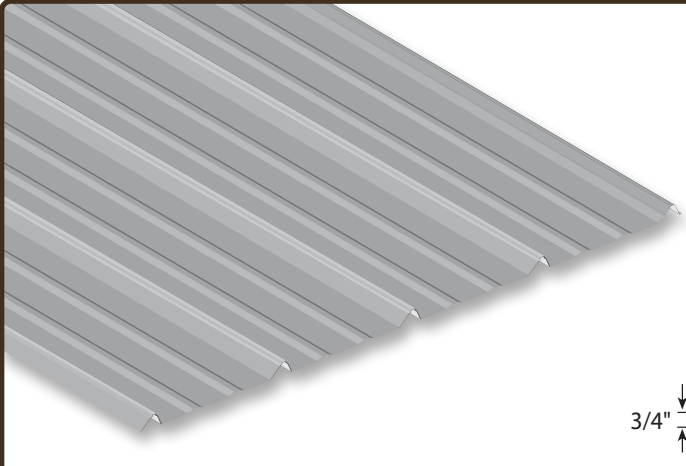
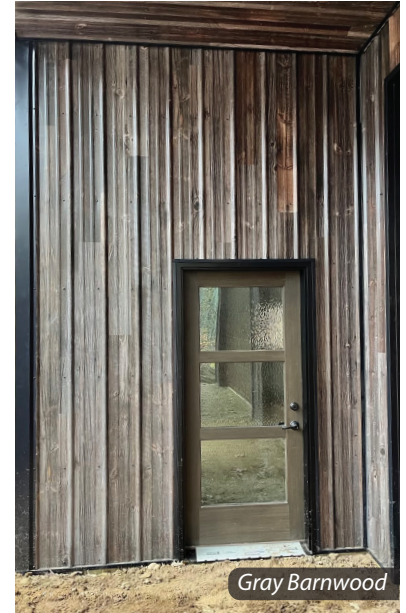
Durability: Steel is highly durable and resistant to damage from moisture, insects, and physical impacts compared to natural wood.

Ease of Installation: Steel panels are easier and quicker to install compared to traditional wood materials, reducing labor costs and installation time.

Low Maintenance: They are easy to clean, requiring minimal upkeep compared to real wood which needs periodic staining, sealing or painting.

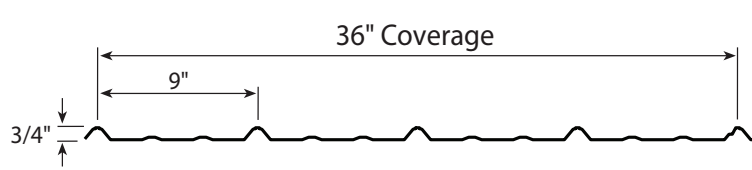
Cost-Effectiveness: Steel panels with a wood grain print can be more cost-effective than using real wood, especially when considering long-term maintenance and replacement costs.

Variety of Designs: Wood grain prints on steel panels come in a wide range of designs and colors, allowing for flexibility in matching different interior design schemes and personal preferences.



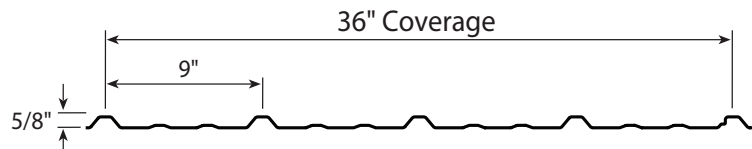
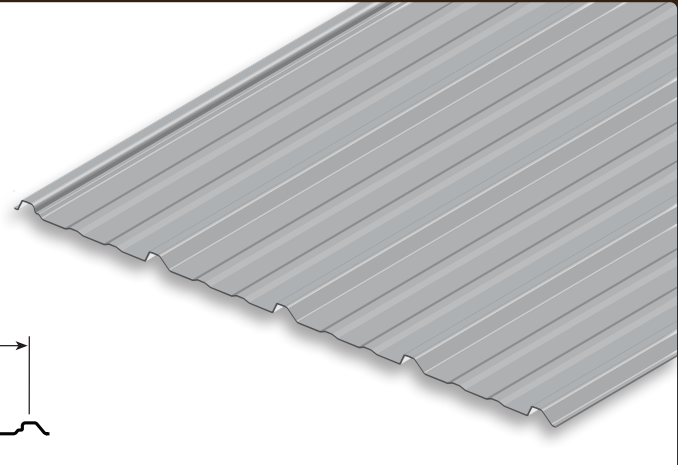
Classic Rib®

- Bell-top major ribs on 9" centers
- 36" coverage, 29 gauge
- Wall or liner panel
- Vertical or horizontal wall panel installation



Pro-Panel II®

- Trapezoidal major ribs on 9" centers
- 36" coverage, 29 gauge
- Wall or liner panel
- Vertical or horizontal wall panel installation



NOTE: MS Wood Grain colors shown are close representations of the actual colors but are limited by printing and viewing conditions. Contact your Metal Sales associate for actual color chip samples before making your final selection.